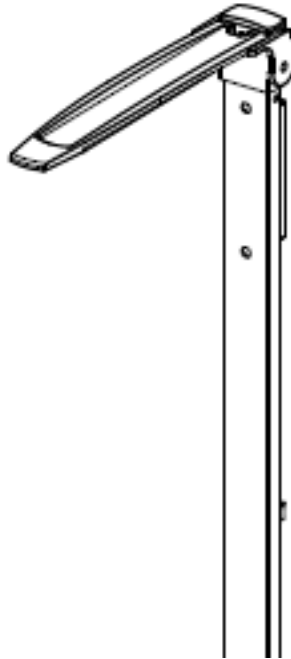


chorder®



HM201M

**Height Measurement
USER MANUAL**

Please keep the instruction manual at hand all the time for future reference.

TABLE OF CONTENTS

PREFACE	3
SAFETY INSTRUCTION	3
CLEANING	3
NOTE BEFORE USE	3
WARRANTY	4
SPECIFICATION	5
EXPLANATION OF THE GRAPHIC SYMBOLS	6
HM201M WALL MOUNTED INSTRUCTION	7
INSTRUCTION OF USING HM201M	9
ASSEMBLY HM201M WITH CHARDER SCALES	10

PREFACE

Thank you for choosing CHARDER MEDICAL product. All features of this product were designed to state of the art and are optimized for simple and straightforward use. If you have any queries or experience any problems not addressed in the operating instructions, please contact your CHARDER MEDICAL service partner, or visit us on the Internet at www.chardermedical.com

SAFETY INSTRUCTION



Before putting the device into use, please read with care the information given in the Operating Instructions. They contain important instructions for installation, proper use and maintenance of the device.

The manufacturer shall not be liable for damages arising out of failure to heed the following instructions:

- ◆ Improper installation will render the warranty null and void.
- ◆ This device is designed for use indoors.
- ◆ Observe the permissible ambient temperatures for use

If you have any problem, please contact your local CHARDER MEDICAL service partner.

CLEANING

- ◆ We would recommend using alcohol based wipes or similar when cleaning the device.
- ◆ Please do not use large amounts of water when cleaning the device as this will cause damage to the device.

You should also refrain from using corrosive liquids or high pressure washers.

NOTE BEFORE USE

Before using measuring rod, please take time to read the following safety instructions:

- Follow the operating instructions.
- Attach the measuring rod only to Charder scale.
- Use the assembly material supplied.

- When assembling, ensure that screws are tight and that the rod has been assembled correctly
(See chapter “Assembly instructions”).
- Fold down the measuring slide after height has been measured to avoid risk of injury.

WARRANTY

A two-year warranty from date of delivery applies to defects attributable to poor materials or workmanship. All moveable parts batteries, cables, mains units, rechargeable batteries etc. - are excluded. Defects, which come under warranty, will be made good for the customer at no charge on production of the receipt. No further claims can be entertained. The costs of transport in both directions will be borne by the customer should the equipment be located anywhere other than the customer’s premises. In the event of transport damage, claims under warranty can be honored only if the complete original packaging was used for any transport and the scale secured and attached in that packaging just as it was when originally packed. All the packaging should therefore be retained.

A claim under warranty will not be honored if the equipment is opened by persons not expressly authorized by Charder to do so.

We would ask our customers abroad to contact their local sales agent in the event of a warranty matter.

PLEASE VISIT WWW.CHARDERMEDICAL.COM FOR MORE INFORMATION.

SPECIFICATION

Model	HM 201M
Measuring range	60 ~ 210 cm 24 – 82 3/4 inch
Graduations	1mm / 1/16 inch
Accuracy	±10mm
Dimensions	55 (W) x 784 (H) x 34 (D) mm
Weight	Approximate 700 g
Temperature range	5°C up to 35°C
<i>Medical product in accordance with Directive 2007/47/EC: Class Im</i>	

EXPLANATION OF THE GRAPHIC SYMBOLS

SN-T13000001

Designation of the serial number of every device, applied at the device.

(Number as an example)



“Please note the accompanying documents“
or “Observe operating instructions”



Identification of manufacturer of medical product including address

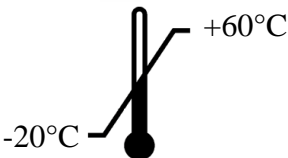
Charder Electronic Co., Ltd.
No.103, Guozhong Rd., Dali Dist.,
Taichung City 412, Taiwan (R.O.C.)



Dispose of old appliances
separately from your household
waste !!!
Instead, take them to communal
collection points.



Carefully read this operation manual
before setup and commissioning,
even if you are already familiar with
Charder scales.

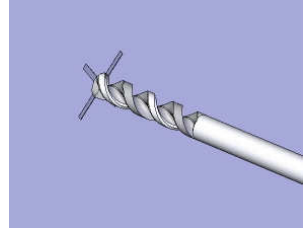
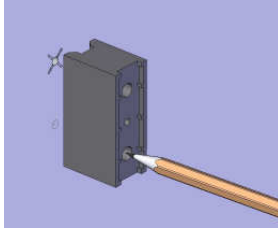
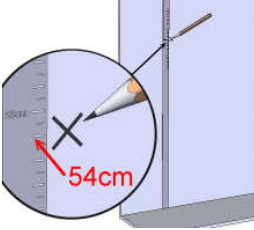


Transport and storage temperature
limit indicating the upper and the
lower limit
(Transport and storage temperature
on packaging)

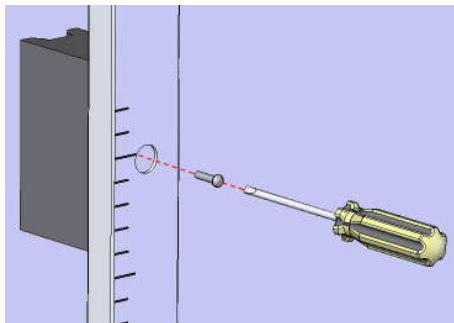
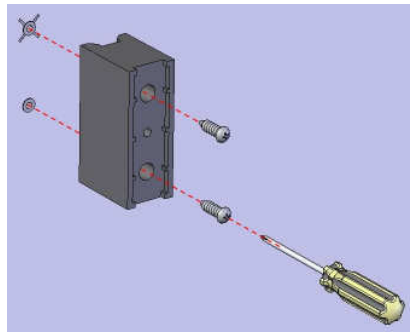
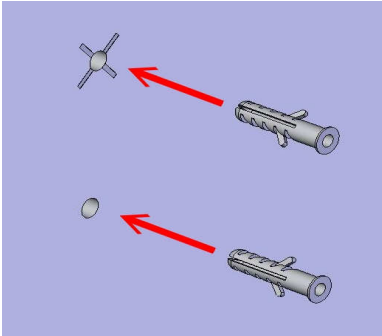
HM201M WALL MOUNTED INSTRUCTION

1. With Bracket

- Mark a cross at 54cm off the ground. Align the cross with one hole, make the position for second hole. Drill through both markings.

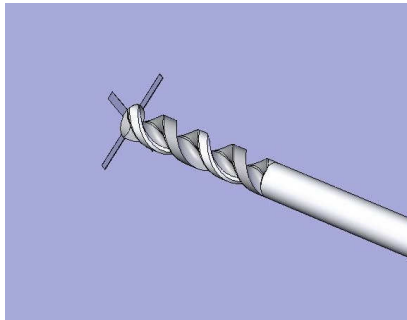
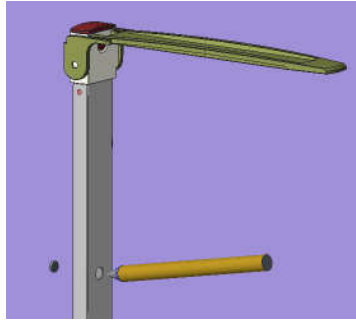
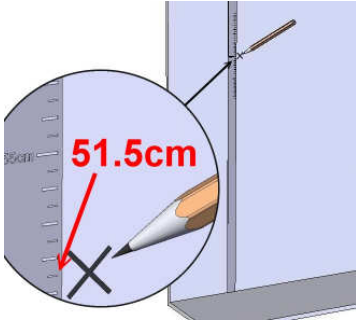


- Insert the plastic nails firmly. Screw bracket to the wall. Screw the height rod on the bracket.



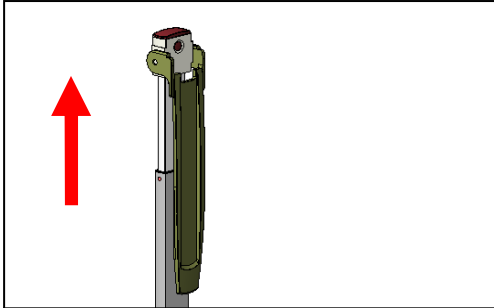
2. Without Bracket

- Make a cross at 51.5cm off the ground. Extend the height rod, mark the top hole position and drill through both markings.

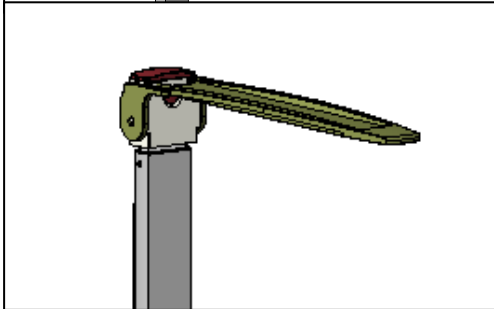


INSTRUCTION OF USING HM201M

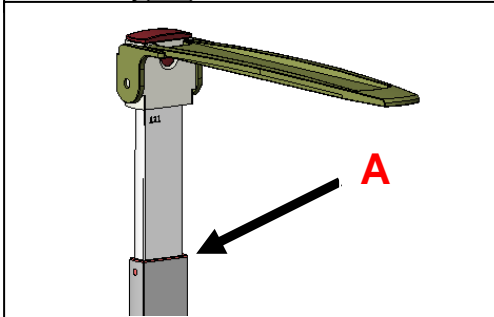
Measuring over 131cm :



1. Pull out the rod.

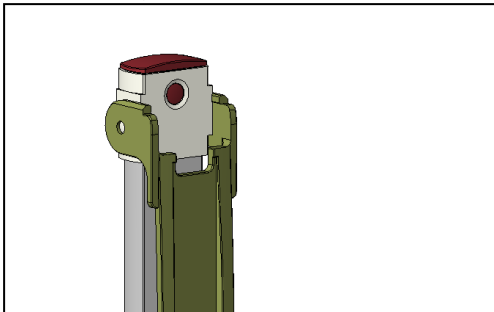


2. Position the head piece to horizontal position

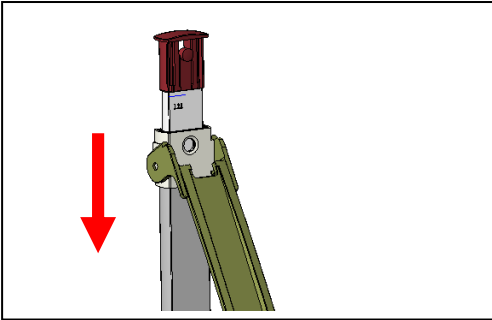


3. Height reading can be taken at **A** point.

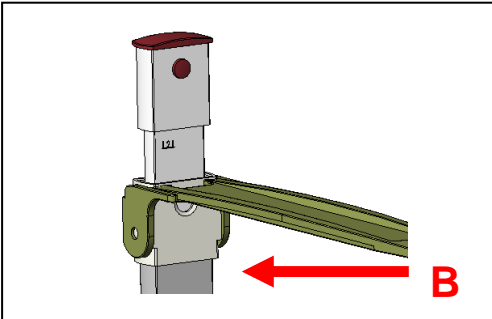
Measuring under 130cm :



1. Fold the plate and press the buckle.



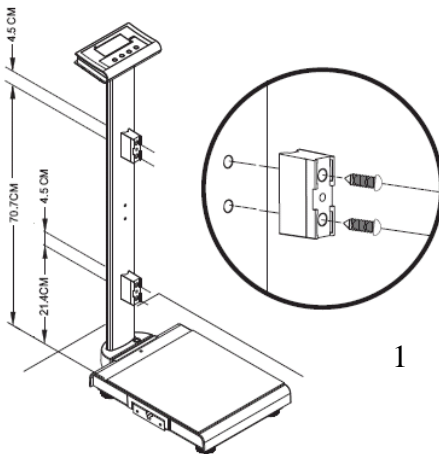
2. Pull down head piece while buckle is pressed.



3. Height reading can be taken at **B** point.

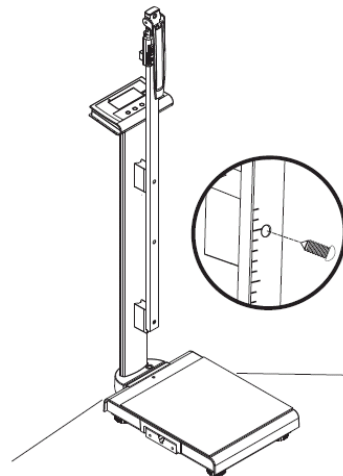
ASSEMBLY HM201M WITH CHARDER SCALES

➤ Assembly HM201M on MS39 series.



1

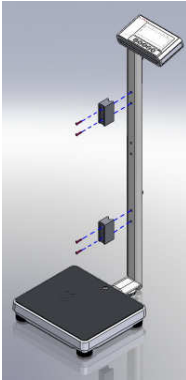
*Fix the bracket installation by step






2

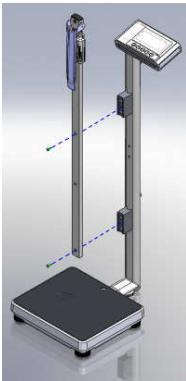
*Screw the height rod on the bracket.

➤ Assembly HM201M on MS49 series.



1. Fix fixing block with cross head screws.


		
Fixing block x 2	Flat head screw x 2	Cross head screw x 4



2. Fix HM201M with flat head screws x 2.

Manufacturer's Declaration of Conformity

This product has been manufactured in accordance with the harmonized European standards, following the provisions of the below stated directives:

	93/42/EEC as amended by 2007/47/EC Medical Device Directive
---	---

Please see separate document showing on sticker of device for above CE marking.

Authorized EU Representative:



Wellkang Ltd
Suite B, 29 Harley Street
LONDON, W1G 9QR, U.K.

Manufactured by:



Charder Electronic Co., Ltd.
No.103, Guozhong Rd., Dali Dist.,
Taichung City 412 ,Taiwan (R.O.C.)

FDA no.: D072478