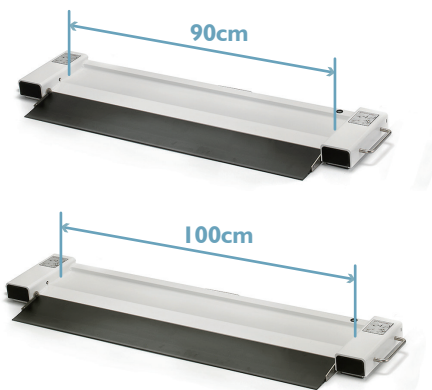


MS6000

Bed Scale

The Charder MS6000 Digital Bed Scale enables the simple and precise weighing of bedridden patients and is an indispensable part of dialysis and intensive care. Two portable beam scales are placed next to the castors of the bed, and the bed is rolled onto the scale safely.

In addition, the MS6000 can be left under the patient's bed to closely monitor the weight of a patient within a set range. If the patient's weight fluctuates outside of that range, an alarm will beep to alert medical staff.



Two sizes platform are available



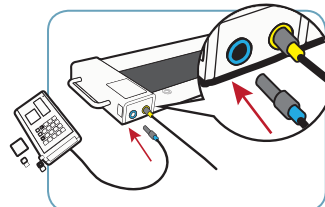
Image contains optional indicator stand

Functions

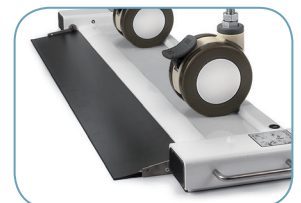
- BMI
- Print
- Hold
- Tare
- Pre-Tare
- Bubble Level Indicator
- Weight Change Alarm
- Castor Wheels
- Portable Handle
- Wireless Data Transfer (optional)

Specifications

Capacity	600 kg
Graduation	0.1 kg<300kg>0.2 kg
Overall Dimensions	1256(W) x 366(D) x 61.5(H) mm
Device Weight	11.4 kg (per beam)
Power Supply	AA Batteries / Power Adapter Rechargeable Battery (optional)
Data Transfer	USB, Wireless (optional)
Accessories	Indicator Stand, Thermal Printer



Color-coded connectors for easy installation



Push bed onto scale via foldable ramps



Thermal printer prints results record for patient reference



Built-in castor wheels



Handles for portability